

ASSEMBLY INSTRUCTION

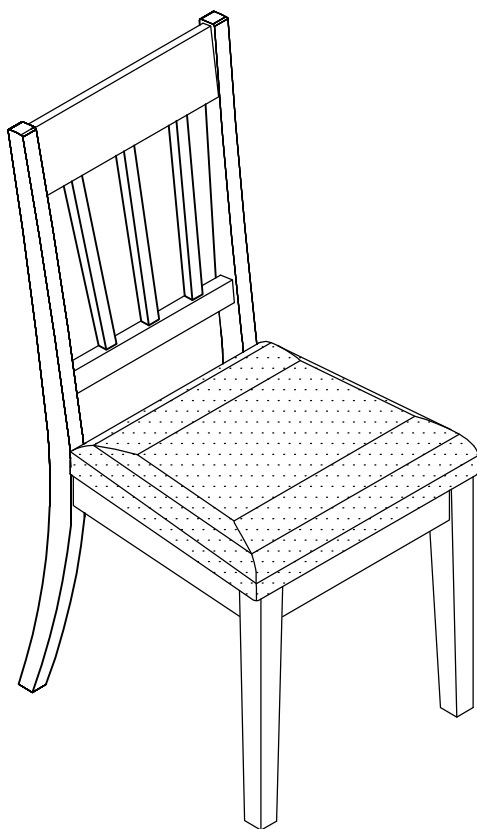
PLEASE READ BEFORE ASSEMBLING!

Tip #1: Make sure you've taken all the pieces and hardware out of its packaging before discarding the box.

Tip #2: Using page 2 and/or page 3 of instruction manual make sure all pieces and hardware are accounted for.

Tip #3: Read manual before assembling, it helps!

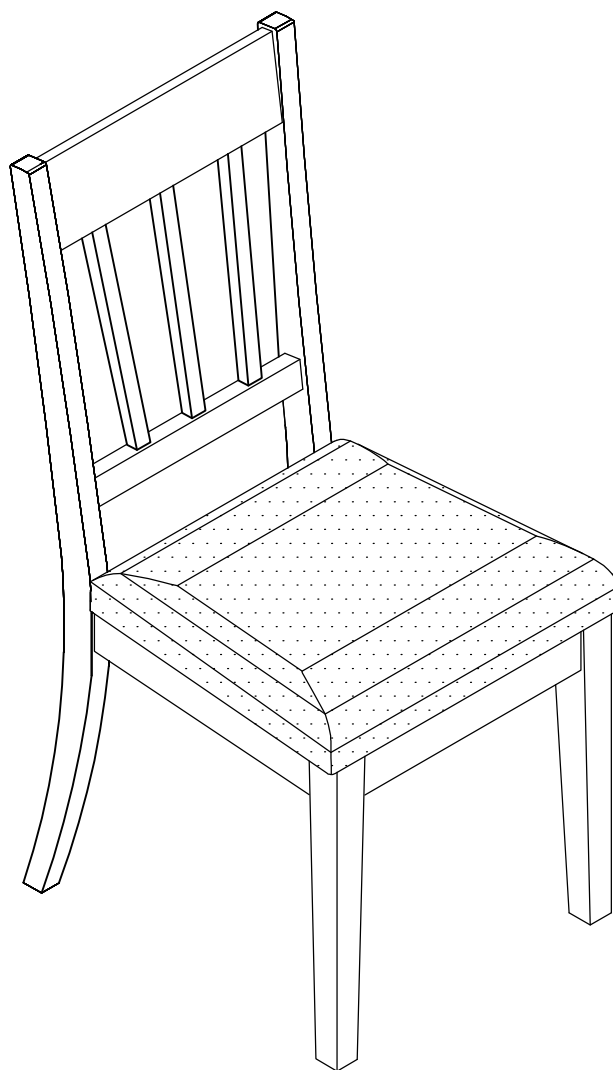
ITEM#: DC15016



X2

ASSEMBLY INSTRUCTION

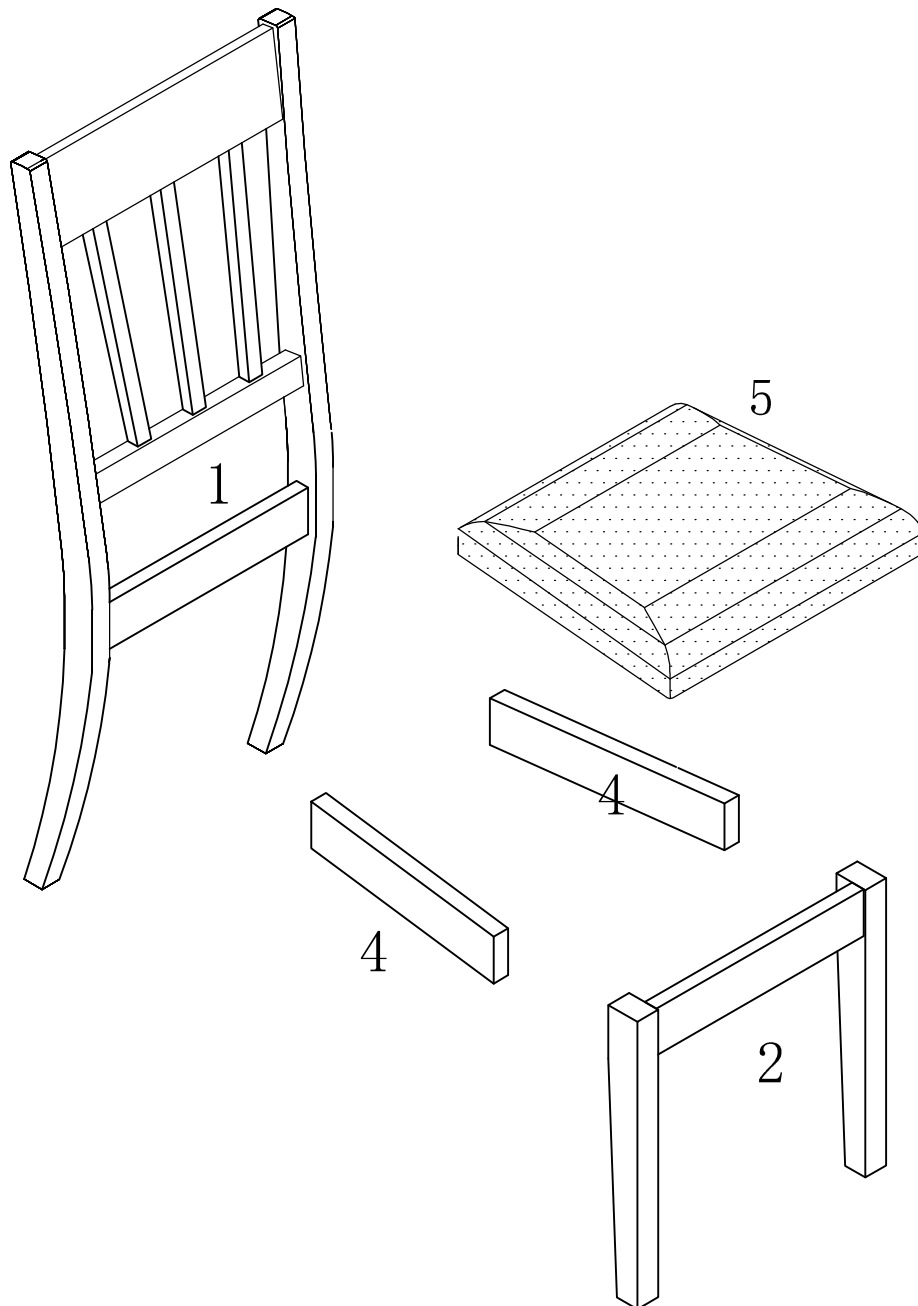
ITEM#:DC15016



X2

ASSEMBLY INSTRUCTION

ITEM#:DC15016

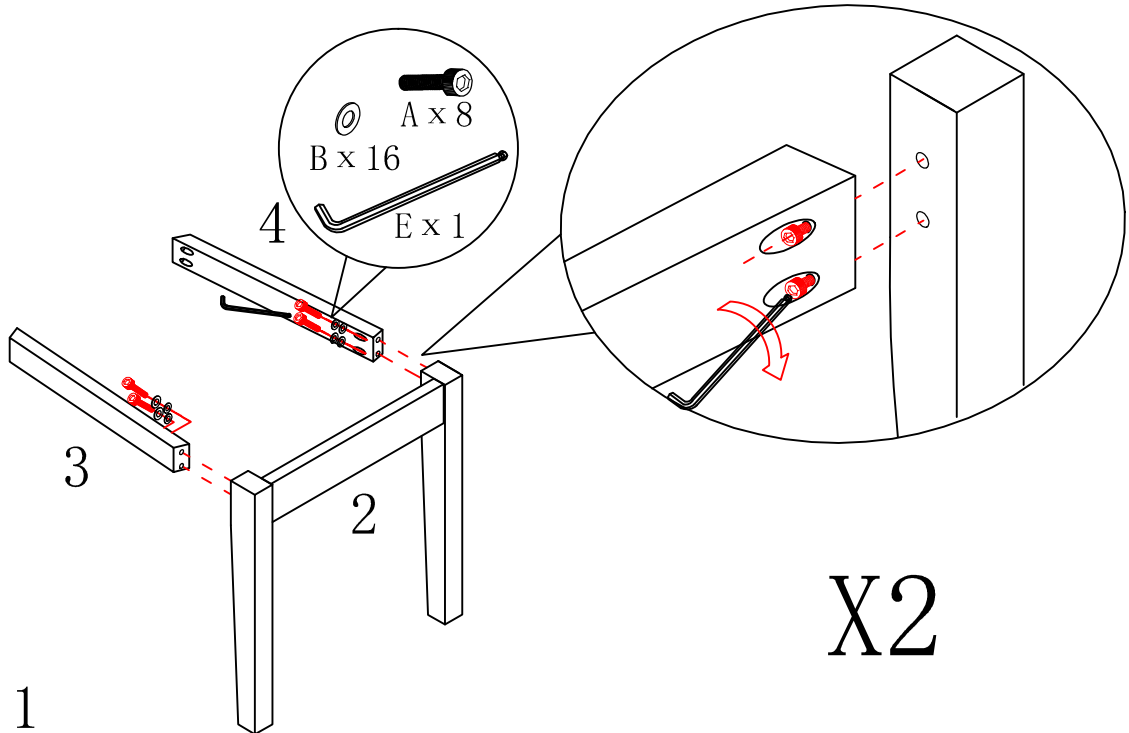


X2

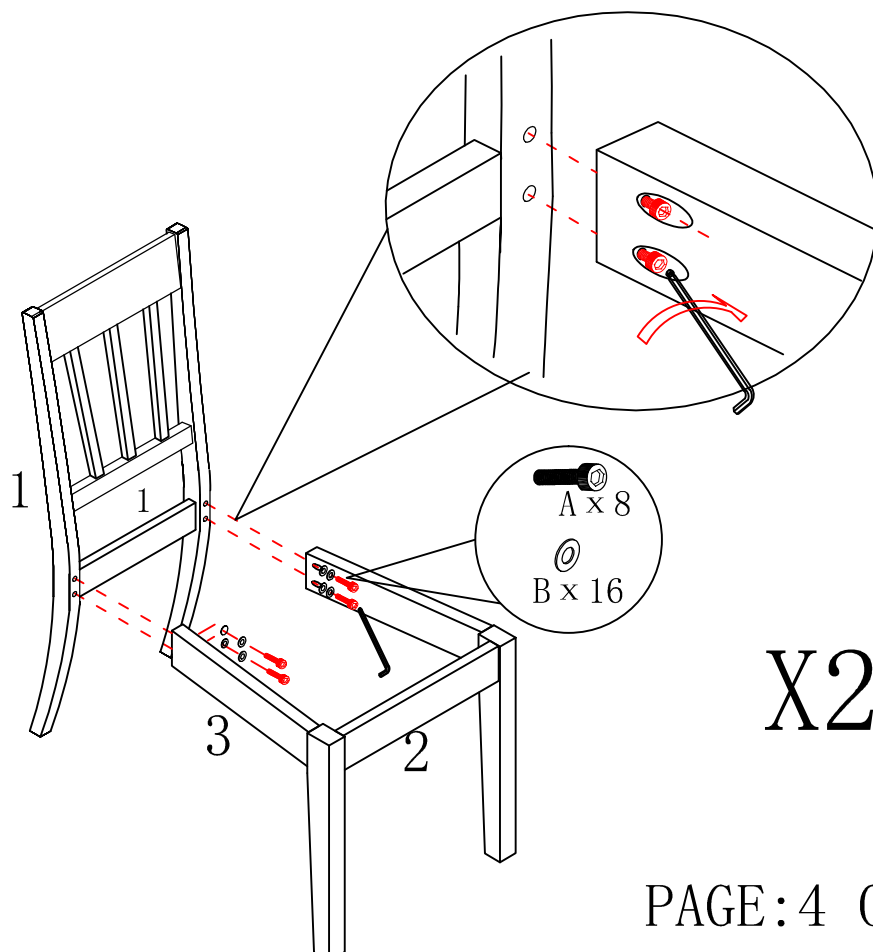
- | | |
|-----|-----|
| (1) | 1pc |
| (2) | 1pc |
| (3) | 1pc |
| (4) | 1pc |
| (5) | 1pc |

ASSEMBLY INSTRUCTION

ITEM#:DC15016

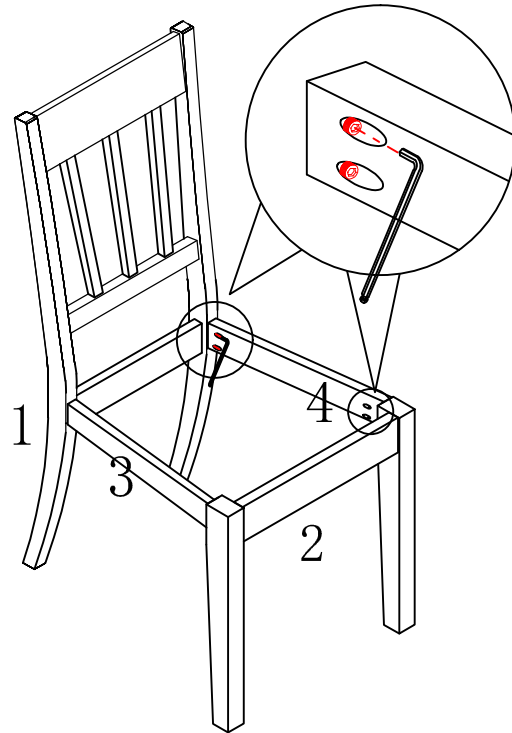


STEP 2



ASSEMBLY INSTRUCTION

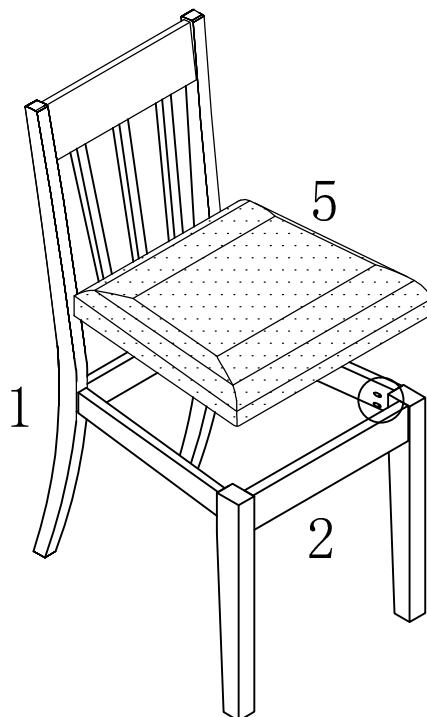
ITEM#:DC15016



X2

STEP 3

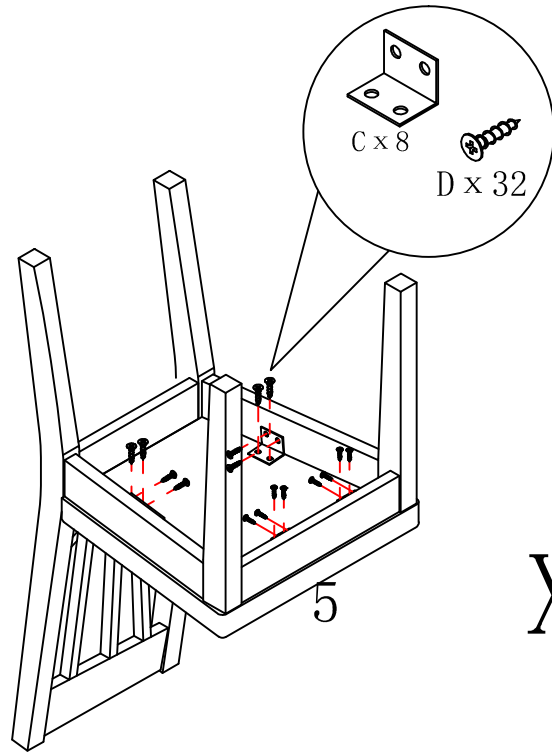
STEP 4



X2

ASSEMBLY INSTRUCTION

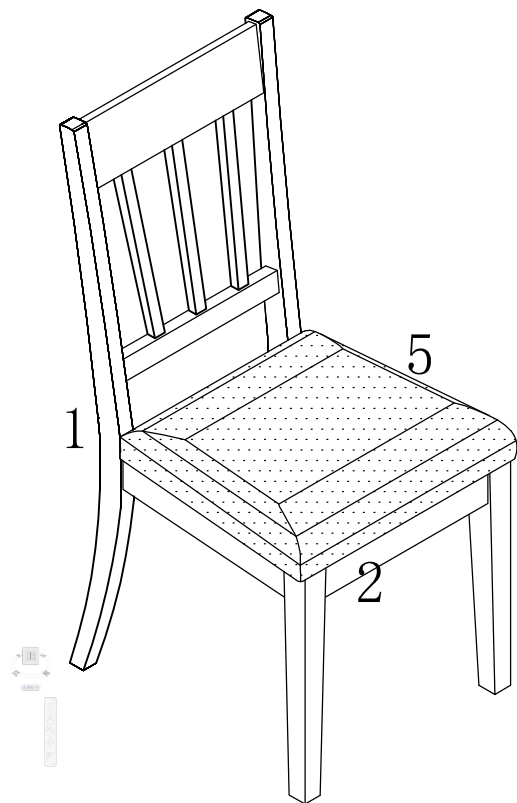
ITEM#:DC15016



X2

STEP 5

STEP 6



X2